



## ***Cone insert for the standard lance that increases jet performance.***

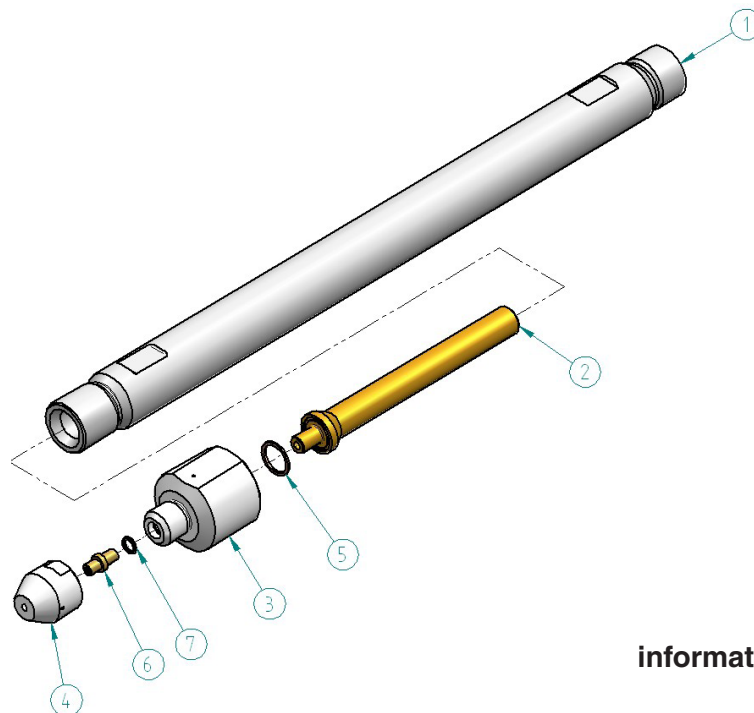
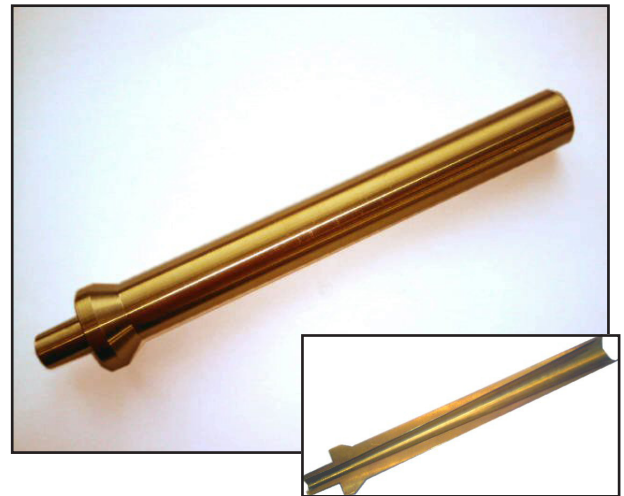
In order to meet the requirements of higher production, we are proud to present to you a cone insert that will fit into your existing lance.

No need to invest in special design lances and nozzles. Install the cone and the production during deep cut will increase.

The secret is the increased speed of water over a longer distance.

The cone is delivered with a front seal and is ready to be installed as soon as you unwrap it from the box.

Tests have shown that the benefit of using the cone in conjunction with smaller pumps. The water jet stays focused for a longer distance why deeper cuts are conducted faster using the cone.



**CONJET AB**  
P.O. Box 507  
SE-136 25 HANINGE  
SWEDEN

PHONE:  
+46 (0)8 55 65 22 40

FAX:  
+46 (0)8 55 65 22 60

E-MAIL:  
conjet@conjet.com

WEBSITE:  
www.conjet.com

information and ordering details

Please contact:

Johan Fahlström (johan.fahlstrom@conjet.com)

Phone +46-8-556 522 53



**CONJET AB**  
P.O. Box 507  
SE-136 25 HANINGE  
SWEDEN

PHONE:  
+46 (0)8 55 65 22 40

FAX:  
+46 (0)8 55 65 22 60

E-MAIL:  
conjet@conjet.com

WEBSITE:  
www.conjet.com

### **CE, EMC certificated**

*Pictures are illustrative only and do not necessarily show the configuration of the products on the market at the given point in time.  
These products must be used in conformity with safe practice and applicable statues, regulations, codes and ordinances.  
Subject to change without prior notice.  
© Copyright Conjet AB, Sweden 2013 – All unauthorized copying or sampling strictly prohibited*